

Cat. No. 01017584

Rev. B 04/06/05

DCO # 7499

Owners Guide &
Installation Instruction
Supplement

Soft-Minder® Twin
Models From 2005

Culligan®

Thank You

And welcome to your new world of better living with Culligan water.

The Culligan Soft-Minder Twin™ Water Softeners are tested and certified by WQA according to WQA S-100 for calcium and magnesium reduction (hardness).

For installations in Massachusetts, the Commonwealth of Massachusetts Plumbing Code 248 CMR shall be adhered to. Consult your licensed plumber for installation of the system. This system and its installation must comply with state and local regulations.



If this is your first experience having soft, conditioned water in your home, you'll be amazed at the marvelous difference it makes. We promise that you'll never want to be without it again.

With Culligan's many years of knowledge and experience in water treatment, you can be confident that the model you selected has been designed and engineered to provide years of service with a minimum of care and attention.

Some localities have corrosive water. A water softener cannot correct this problem and so its printed warranty disclaims liability for corrosion of plumbing lines, fixtures or appliances. If you suspect corrosion, your Culligan Dealer has equipment to control the problem.

Sodium Information: *Water softeners using sodium chloride for regeneration add sodium to the water. Persons who are on sodium restricted diets should consider the added sodium as part of their overall sodium intake.*

This supplement contains important information about the Soft-Minder Twin automatic water conditioner, including instructions covering installation of the control valve, tank adapter, interconnection piping between the two mineral tanks, and timer adjustments. For additional information, please refer to the Model 9100 Service manual packed with the control.

Before starting the installation, make certain the water meets the required limitations as shown in the specifications. Review the specifications for the unit to be certain all applications requirements have been met. Also, carefully review the Model 9100 Service Manual, paying particular attention to the regeneration cycle program setting procedure.

Attention Culligan Customer:

Your local independently operated Culligan dealer employs trained service and maintenance personnel who are experienced in the installation, function and repair of Culligan equipment. This publication is written specifically for these individuals and is intended for their use.

We encourage Culligan users to learn about Culligan products, but we believe that product knowledge is best obtained by consulting with your Culligan dealer. Untrained individuals who use this manual assume the risk of any resulting property damage or personal injury.



WARNING - Prior to servicing equipment, disconnect power supply to prevent electrical shock.

Owners Guide & Installation Instruction Supplement

Soft-Minder® Twin Models From 2005

Table of Contents	Page
Specifications	4
Introduction	5
Preparation	8
Installation	10
Salt Supply, Usage & Service	18
Care & Cleaning	19
Service Check List	21
Culligan 61 Soft-Minder Twin Performance Data Sheet	22
Culligan 91 Soft-Minder Twin Performance Data Sheet	23
Culligan 121 Soft-Minder Twin Performance Data Sheet	24
Culligan 181 Soft-Minder Twin Performance Data Sheet	25
Records and Data	26
Warranty	27
Promise	28
Parts List	30

Performance Data Sheets are included in this manual for various Culligan Soft-Minder Twin™ Softener models. Refer to the Performance Data Sheet for your specific softener, as there are slight differences between the models. The softener warranty is located on page 18 of this Owner's Guide.

Specifications

Twin Specifications

	SM-61 Model	SM-91 Model	SM-121 Model	SM-181 Model
Control Valve	Reinforced Thermoplastic	Reinforced Thermoplastic	Reinforced Thermoplastic	Reinforced Thermoplastic
Overall Conditioner Height				
Media Tank Design	Quadra-Hull or FRP	Quadra-Hull or FRP	Quadra-Hull or FRP	Quadra-Hull or FRP
Media Tank Dimensions (Dia x Ht)	9 x 48 in	10 x 54 in	12 x 52 in	14 x 65 in
Salt Storage Tank Dimensions (Dia x Ht)	16 x 43 in	18 x 43 in	18 x 43 in	24 x 42 in
	18 x 43 in			
Exchange Media, Type and Quantity	Cullex® Media, 1.0 ft ³	Cullex® Media, 1.5 ft ³	Cullex® Media, 2.0 ft ³	Cullex® Media, 3.0 ft ³
Underbedding, Type and Quantity	Cullsan® Underbedding, 12 lb	Cullsan® Underbedding, 15 lb	Cullsan® Underbedding, 16 lb	Cullsan® Underbedding, 25 lb
Exchange Capacity	13,760 gr @ 3.3 lb	21,193 gr @ 5 lb	28,173 gr @ 6.7 lb	41,936 gr @ 10 lb
@ Salt Dosage Per Recharge	27,848 gr @ 9.3 lb	42,890 gr @ 14 lb	57,020 gr @ 18.7 lb	84,870 gr @ 28 lb
	32,939 gr @ 15 lb	50,732 gr @ 22.5 lb	67,446 gr @ 30 lb	100,387 gr @ 45 lb
Efficiency rated dosage ¹	4130 gr/lb @ 3.3 lb salt dosage	4,240 gr/lb @ 5 lb salt dosage	4,230 gr/lb @ 6.7 lb salt dosage	4,190 gr/lb @ 10 lb salt dosage
Freeboard to Media ²	14.5 in	14.5 in	16 in	20 in
Freeboard to Underbedding ³	44.5 in	47.5 in	46 in	59 in
Salt Storage Capacity	250 lb or 375 lb	375 lb	375 lb	600 lb
Rated Service Flow @ Pressure Drop	10.7 gpm @ 15 psi	10.2 gpm @ 15 psi	11.4 gpm @ 15 psi	12.0 gpm @ 15 psi
Total Hardness, Maximum	75 gpg	99 gpg	99 gpg	99 gpg
Total Iron, Maximum	5 ppm	5 ppm	5 ppm	5 ppm
Hardness to Iron Ratio, Minimum	8 gpg to 1 ppm	8 gpg to 1 ppm	8 gpg to 1 ppm	8 gpg to 1 ppm
Operating Pressure	20-125 psi	20-125 psi	20-125 psi	20-125 psi
Operating Temperature	33-120°F	33-120°F	33-120°F	33-120°F
Electrical Requirements	24V/60 Hz	24V/60 Hz	24V/60 Hz	24V/60 Hz
Electrical Power Consumption, Min/Max	5 Watts/ 6 Watts	5 Watts/ 6 Watts	5 Watts/ 6 Watts	5 Watts/ 6 Watts
Drain Flow, Maximum ⁴	2 gpm	2 gpm	3.5 gpm	5 gpm
Recharge Time, Average ⁵	67 min	67 min	77 min	101 min
Recharge Water Consumption, Average ⁵	57 gal	57 gal	105 gal	107 gal

¹ The efficiency rated dosage is only valid at the stated salt dosage and is efficiency rated according to NSF/ANSI 44.

² Measured from top of media to top surface of tank threads. (backwashed and drained).

³ Measured from top of underbedding to top surface of tank threads.

⁴ Backwash at 120 psi (830 kPa).

⁵ 10 minute backwash, 3.3 lb 9" model, 5 lb (2.7kg) 10" model, 6.7 lb 12" model or 10 lb 14" model salt dosage.

IT'S ALL SO EASY, SO ECONOMICAL, SO EFFICIENT, SO ENJOYABLE!

KIND TO SKIN AND COMPLEXION

Soft water will help prevent red, itchy or dry skin because there are no hardness impurities to cause soreness, no soap curd to coat the skin. Shaving is easier, smoother - either with blade or electric shaver.

BATHING AND SHOWERING

You'll use far less soap with conditioned water. Use your soap very sparingly - not as you did before soft water. Just a quick rinse removes all lather, leaving your skin pleasantly smooth and silky - because now it's free of sticky soap curd and film.

SAVES WASHING COSTS. HELPS CONTROL ENVIRONMENTAL POLLUTION

Soft water washes whiter and cleaner with less soap or detergent. Because the hardness impurities are removed, your soap can concentrate solely on washing. People usually find that they can reduce the amount of soap they use substantially. If you normally used a cup per wash load with hard water, try using only 1/3 cup depending on the size of your wash load and the degree of soil. Different amounts are required, but you can use less with softened water. An added bonus is the fact that your washable fabrics will last longer.

SUPER HAIR CONDITIONING

Soft water is great for scalp and hair care. No insoluble deposits are formed. Hair is shinier, softer, more manageable. Reduce the amount of shampoo you have normally used.

DISHES ARE A DELIGHT

Washed by hand or in a dishwasher, glassware, dishes and silver wash cleaner, easier. Follow your dishwasher manufacturer's instructions. Soft water promotes sanitation because no greasy hard water film can form to collect or harbor bacteria.

EASIER HOUSEKEEPING, GLEAMING FIXTURES

You'll be amazed at the marvelous difference. Just a swish of the cloth, and the bathtub or shower and fixtures are clean and sparkling. Imagine, no scouring! No hard water scum to cause rings, streaks, spots and stains. To keep their gleaming luster, simply wipe fixtures with a towel after use. Formica, tile, walls, floors, woodwork surfaces clean easier, stay clean longer. You'll save on cleaning aids and save on time.

SAVES WATER-HEATING ENERGY, HELPS WATER-USING APPLIANCES

Soft water reduces the formation of rock-like hard water scale which encrusts water heaters, hot water pipes, shower heads, and water-using appliances. This scale can cause premature maintenance and failure.

Elimination of hard water also provides substantial energy savings because scale acts as an insulator, wasting electricity or gas used to heat water.

SAVINGS GALORE

A water conditioner is frequently referred to as "the appliance that pays for itself". You'll find that your savings on soaps, detergents, cleaning aids, and personal care products will help your family's household budget. And if you place a price on your time, you'll be most happy with the time saved by your new family servant.

WATER FOR LAWNS AND HOUSEHOLD PLANTS

If possible, lawn sprinkling faucets should be supplied with hard water primarily because it is uneconomical to soften so much water.

Household plants are much more sensitive than lawns with respect to the kind of water which is best. First, because they receive no rainfall and, second, there is little or no drainage of the soil. Preferably they should be watered with rain water or water which is low in mineral content such as distilled or demineralized water. Softened water is not recommended for house plants because a build-up of sodium in the soil may interfere with efficient absorption of water by the plant root system. Additional information may be obtained from your independently operated Culligan dealer.

Introduction

How Your Water Conditioner Works

Why Water Gets Hard And How It's Softened

All of the fresh water in the world originally falls as rain, snow, or sleet. Surface water is drawn upward by the sun, forming clouds. Then, nearly pure and soft as it starts to fall, it begins to collect impurities as it passes through smog and dust-laden atmosphere. And as it seeps through soil and rocks it gathers hardness, rust, acid, unpleasant tastes and odors.

Water hardness is caused primarily by limestone dissolved from the earth by rainwater. Because of this, in earlier times people who wanted soft water collected rainwater from roofs in rain barrels and cisterns before it picked up hardness from the earth.

Some localities have corrosive water. A softener cannot correct this problem and so its printed warranty disclaims liability for corrosion of plumbing lines, fixtures or appliances. If you suspect corrosion, your Culligan Man has equipment to control the problem.

Iron is a common water problem. The chemical/physical nature of iron found in natural water supplies is exhibited in four general types:

1. Dissolved Iron - Also called ferrous or "clear water" iron. This type of iron can be removed from the water by the same ion exchange principle that removes the hardness elements, calcium and magnesium. Dissolved iron is soluble in water and is detected by taking a sample of the water to be treated in a clear glass. The water in the glass is initially clear, but on standing exposed to the air, it may gradually turn cloudy or colored as it oxidizes.
2. Particulate Iron - Also called ferric or colloidal iron. This type of iron is an undissolved particle of iron. A softener will remove larger particles, but they may not be washed out in regeneration effectively and will eventually foul the ion exchange resin. A filtering treatment will be required to remove this type of iron.
3. Organic Bound Iron - This type of iron is strongly attached to an organic compound in the water. The ion exchange process alone cannot break this attachment and the softener will not remove this type of iron.
4. Bacterial Iron - This type of iron is protected inside a bacteria cell. Like the organic bound iron, it is not removed by a water softener.

When using a softener to remove both hardness and dissolved iron it is important that it regenerates more frequently than ordinarily would be calculated for hardness removal alone. Although many factors and formulas have been used to determine this frequency, it is recommended that the softener be regenerated when it has reached 50 - 75% of the calculated hardness alone capacity. This will minimize the potential for bed fouling (Iron removal claims have not been verified by the Water Quality Association).

If you are operating a water softener on clear water iron, regular resin bed cleaning is needed to keep the be from coating with iron. Even when operating a softener on water with less than the maximum of dissolved iron, regular cleanings should be performed. Clean every six months or more often if iron appears in your conditioned water supply. Use resin bed cleaning compounds carefully following the directions on the container.



CAUTION: Do not use where the water is microbiologically unsafe or with water of unknown quality without adequate disinfection before or after the unit.

Hardness sample kits are available through your local Culligan dealer.

The Culligan Process

Your Culligan water conditioner consists of three basic components, (A) the Control Valve, (B) the Mineral Tank, and (C) the Brine System.

- A. The exclusive Culligan control valve automatically performs a variety of tasks that are necessary for the proper operation of your water conditioner. These tasks, commonly referred to as cycles or operating positions, are: SERVICE, REGENERATION, and BRINE REFILL.
1. **SERVICE:** While the control valve is in the "Service cycle", hard water is directed down through the column of Cullex® resin where hardness minerals are removed from the water. The softened water is then directed into your household plumbing lines. The ability of the Cullex resin to remove hardness minerals needs to be periodically replenished; this is referred to as . . .
 2. **REGENERATION:** While the control valve is in the "Regeneration cycle", water is first directed up through the column of Cullex resin to flush accumulated sediment out of the resin and down the drain. Then, the regenerant brine solution is slowly drawn from the bottom of the salt storage tank of the Brine System and is directed down through the column of Cullex resin, restoring the ability of the resin to remove hardness minerals from your water supply. Once completed, the regeneration cycle is followed by . . .
 3. **BRINE REFILL:** While the control valve is in the "Brine Refill cycle", a predetermined amount of water is directed to the salt storage tank of the Brine System so that additional salt can be dissolved to provide the brine solution that will be needed for the next regeneration cycle.
- B. The exclusive Quadra-Hull™ Mineral Tank contains the Cullex resin column, Cullsane® underbedding, and an outlet manifold. The number of gallons of hard water that can be softened by the Cullex resin column before it needs regeneration is called the "capacity" of the resin column, and depends upon the amount of hardness minerals in each gallon of water (expressed as grains per gallon) and upon the amount of regenerant brine solution (expressed as pounds of salt) passed through the resin column during regeneration.
- Your Culligan service person, taking into account the hardness of your water and the amount of softened water your household may reasonably expect to use each day, has carefully established how often the softener will regenerate and how much salt will be used for each regeneration. This will ensure that all of your soft water needs will be fulfilled without using an excessive amount of salt.
- C. The Brine System consists of a salt storage container and hydraulic Dubl-Safe™ valve. The salt storage container holds the salt that is used to make the regenerant brine solution. The hydraulic Dubl-Safe valve limits the amount of water that is returned to the salt storage tank during the brine refill cycle.
- Since a predetermined amount of salt is dissolved with each brine refill cycle, the salt must be periodically replenished in order to maintain efficient operation. Your Culligan service person will be able to tell you about how often salt must be added to the salt storage container.

Preparation

Component Description

The water conditioner is shipped from the factory in a minimum of four cartons. Remove all components from their cartons and inspect them before starting installation.

Control Valve Assembly - Includes the Soft-Minder Twin Control. Small parts packages will contain additional installation hardware, and the conditioner Owner's Guide.

Media Tank - Includes Quadra-Hull™ or FRP media tank complete with Cullex® ion exchange resin, underbedding and outlet manifold (12" and 14" tanks are shipped without media).

Salt Storage Tank Assembly - Includes salt storage container with support plate and Dubl-Safe™ brine refill valve and chamber.

Bypass Valve - Includes the stainless steel bypass valve and pins.

Tools and Materials

The following tools and supplies will be needed, depending on installation method. Observe all applicable codes.

NOTE: Check and comply with your state and local codes. You must follow these guidelines.

All Installations

- Safety glasses
- Phillips screwdrivers, small and medium tip.
- Gauge assembly (PN 00-3044-50 or equivalent)
- Silicone lubricant (PN 00-4715-07 or equivalent) - DO NOT USE PETROLEUM-BASED LUBRICANTS
- A bucket, preferably light-colored
- Towels

Special Tools

- Torch, solder and flux for sweat copper connections
- Use only lead-free solder and flux for all sweat-solder connections, as required by state and local codes.
- Threading tools, pipe wrenches and thread sealer for threaded connections.
- Saw, solvent and cement for plastic pipe connections.

Materials

- Brine line, 5/16" (PN 00-3031-28 or equivalent)
- Drain line, 1/2" (PN 00-3030-82, gray, semi-flexible; or PN 00-3319-46, black, semi-rigid; or equivalent)
- Thread sealing tape
- Pressure reducing valve (if pressure exceeds 125 psi [860 kPa], PN 00-4909-00 or equivalent)
- Pipe and fittings suited to the type of installation
- Water softener salt (rock, solar or pellet salt formulated specifically for water softeners)

Application

Water quality - Verify that raw water hardness and iron are within limits. Note the hardness for setting the salt dosage and recharge frequency.

Pressure - If pressure exceeds 125 psi (860 kPa), install a pressure reducing valve (see materials checklist). On private water systems, make sure the minimum pressure (the pressure at which the pump starts) is greater than 20 psi (140 kPa). Adjust the pressure switch if necessary.



CAUTION: The use of a pressure reducing valve may limit the flow of water in the household.

Preparation

Temperature - Do not install the unit where it might freeze, or next to a water heater or furnace or in direct sunlight. Outdoor installation is not recommended and voids the warranty. If installing in an outside location, you must take the steps necessary to assure the softener, installation plumbing, wiring, etc. are as well protected from the elements (sunlight, rain, wind, heat, cold), contamination, vandalism, etc. as when installed indoors.

Location

Space requirements - Allow 6-12 inches (15-30 cm) behind the unit for plumbing and drain lines and 4 feet (1.3 meters) above for service access and filling the salt container (See figure 1).

Floor surface - Choose an area with solid, level floor free of bumps or irregularities. Bumps, cracks, stones and other irregularities can cause the salt storage tank bottom to crack when filled with salt and water.

Drain facilities - Choose a nearby drain that can handle the rated drain flow (floor drain, sink or stand pipe). Refer to the Drain Line Chart, Table 1 (page 11), for maximum drain line length.

NOTE: Most codes require an anti-siphon device or airgap. Observe all local plumbing codes and drain restrictions. The system and installation must comply with all state and local laws and regulations. Waste connections or drain outlets shall be designed and constructed to provide for connection to the sanitary waste system through an air gap of 2 pipe diameters or 25mm (1 in.), whichever is larger.

Electrical facilities - A 10-foot cord and wall mount plug-in transformer are provided. The customer should provide a receptacle, preferably one not controlled by a switch that can be turned off accidentally. Observe local electrical codes.

NOTE: The softener works on 24 volt - 60 Hz power only. Be sure to use the included transformer. Be sure the electrical outlet and transformer are in an inside location to protect from moisture. Properly ground to conform with all governing codes and ordinances.

Installation

Use this installation supplement with the Fleck Service Manual and Timer Supplemental Service Manual. This addendum supplements the Fleck 9100 Service Manual and Timer Service Manual.

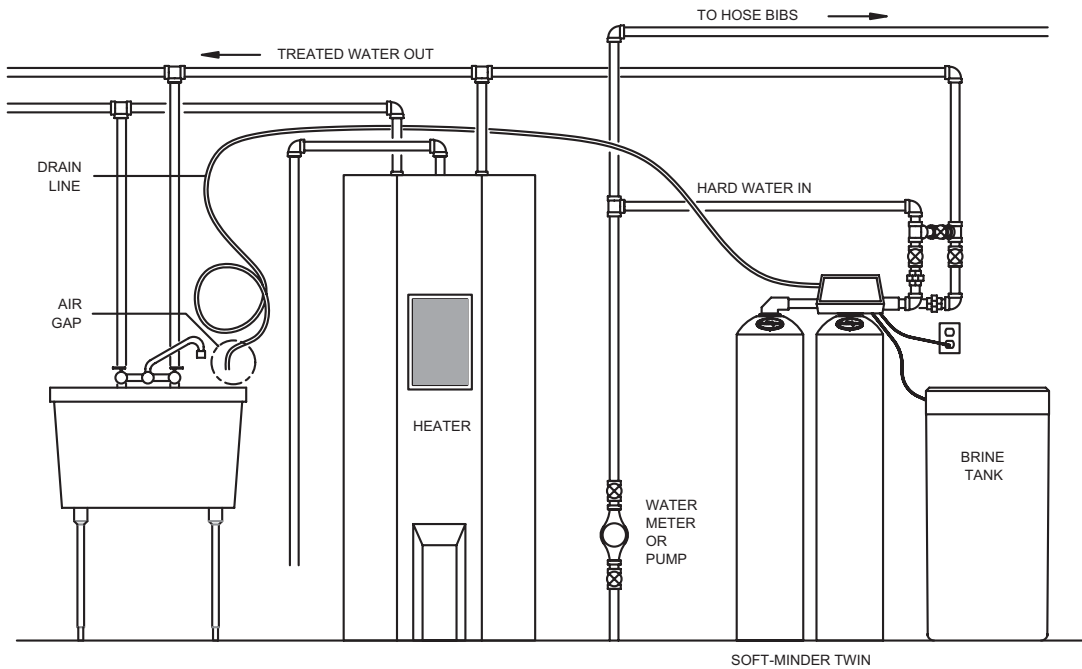


Figure 1

Placement

- Set the media tanks on a solid, level surface that provides easy access to a water supply, drain system and electricity.
- Place the brine system on a flat, smooth, solid surface close to the media tank.
- Plumbing should comply with the applicable state and local plumbing codes.
- Connect the couplings and yoke assembly to the control valve and tank adapter. Lubricate the o-ring with silicone lubricant.
- Lubricate the distributor and tank o-ring seal with silicone lubricant.
- The joints near the drain must be soldered prior to connecting the drain line flow control fitting (DLFC). Leave at least 6" between the DLFC and the joints when soldering. Failure to do this could cause damage to the drain module. Teflon tape is the only sealant to be used on the drain fittings.

Control Valve

A 0.25 gpm BLFC is installed in the control valve for use on the 9 inch tanks. A 0.5 gpm BLFC is included in the parts pack for installation on 10 inch, 12 inch and 14 inch tanks. Remove the BLFC from the brine valve. Install the BLFC by removing the brine fitting, remove the retainer, remove and replace with the proper size.

A white #1 eductor throat and nozzle is packaged with the control valve for use on the 9-inch tanks. See table 2 for eductor throat and nozzle selections.

When changing the eductor nozzle and throat, remove the eductor assembly mounting screws. Carefully remove the eductor assembly from the control. Unscrew the eductor nozzle and throat and replace with the correct size eductor. Reassemble onto the control valve.

Included in the parts pack are drain line flow controls with different gpm capacities. Tank size will determine which size flow control to install. Use the 2.00 gpm for the 9-inch tank and 10-inch tank. See table 2 for DLFC selections

Install the DLFC by removing the drain line elbow adapter. Unscrew the retainer, remove and replace with the proper size.

Install the retainer and the drain line elbow adapter. The numbered side of the DLFC must face down.

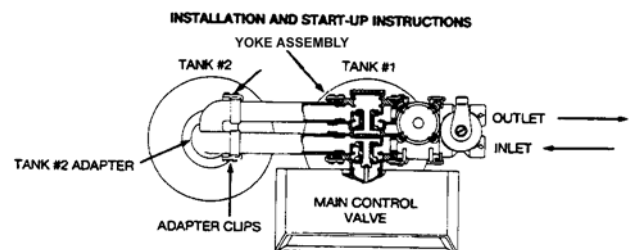


figure 2

Installation

Start-Up

Place approximately 1" of water above the grid plate (if used) in your salt tank. Salt may be placed in the unit at this time.

Place softener in a bypass position. Turn on the main water supply and check for any leaks. Open a cold water faucet near the softener and run a few minutes until the system is free of any foreign material (usually solder) that may have resulted from the installation.

Plug unit into electrical outlet. Do not insert meter cable into the meter at this time.

Electrical connections must be connected according to codes.

Advance the softener control to the backwash position. Slowly shift the bypass into the service position so that the water flows into the mineral tanks. When water appears at the drain, shift the bypass valve to fully open. Continue to backwash until the water at drain is clear.

Start REGEN to fill second tank. Backwash until the water at drain is clear.

Height of Discharge Above Floor Level Operating						
Operating Pressure	0 ft (0 m)	2ft (0.6 m)	4 ft (1.2 m)	6 ft (1.8 m)	8 ft (2.4 m)	10 ft (3 m)
30 psi (210 kPa)	60 ft (18 m)	50 ft (15 m)	30 ft (9 m)	15 ft (5 m)	Not Allowable	Not Allowable
40 psi (279 kPa)	100 ft (30 m)	90 ft (27 m)	70 ft (21 m)	50 ft (15 m)	30 ft (9 m)	12 ft (4 m)
50 psi (349 kPa)	145 ft (41 m)	115 ft (35 m)	80 ft (24 m)	80 ft (24 m)	60 ft (18 m)	40 ft (12 m)
60 psi (419 kPa)			100 ft (30 m)	100 ft (30 m)	85 ft (26 m)	60 ft (18 m)
80 psi (559 kPa)	Normal Installation should not require more than 100 ft (30 m) of drain line				140 ft (43 m)	120 ft (37 m)
100 psi (699 kPa)						150 ft (46 m)

Installation

Timer Control Start-Up Procedures Display

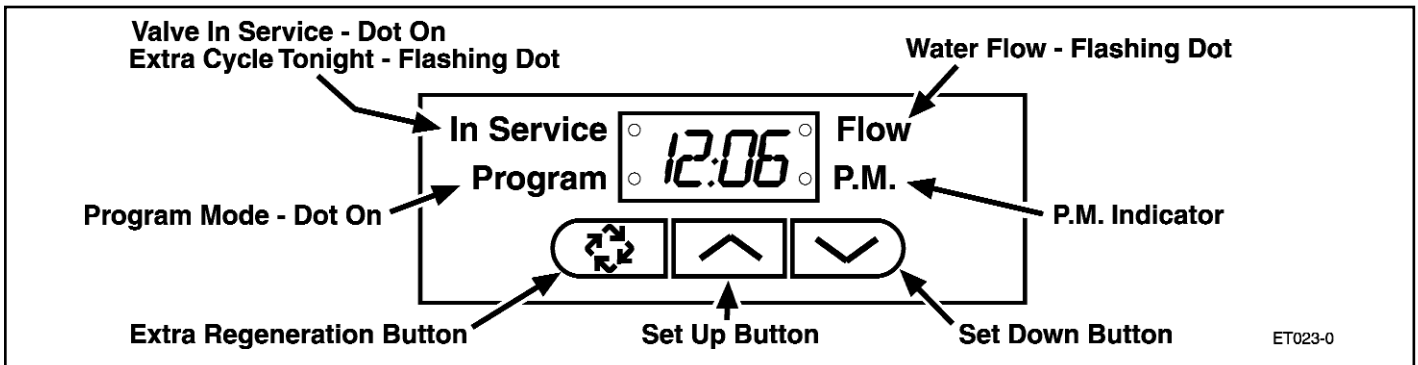


Figure 3 Timer Display

In normal operation the **Time Of Day** display alternates with **Volume Remaining** and Tank in **In Service** displays (9000SE Timer only). As treated water is used, the **Volume Remaining** display counts down (in gallons) from a maximum value to zero or (----). Once this occurs a **Regeneration** cycle initiates immediately or delayed to the set **Regeneration Time** . Water flow through the valve is indicated by the flashing **Flow Dot Indicator**.

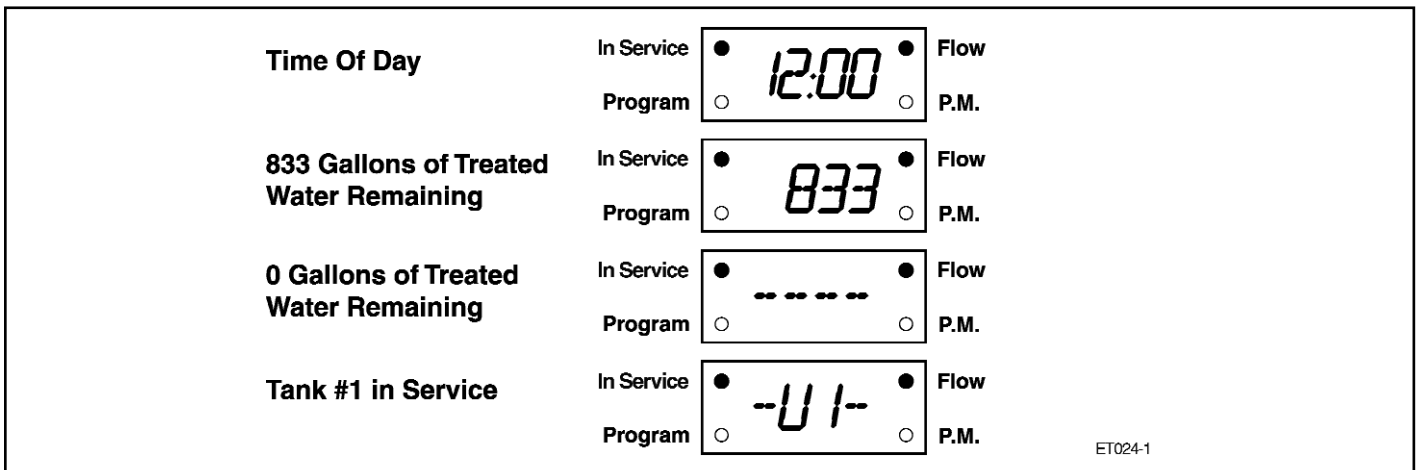
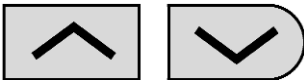


Figure 4 Timer Display During Normal Operation



ET025-0

Set Time of Day

When the valve is **In Service**, press either the **Set Up** or **Set Down** button once to adjust the **Time Of Day** by one digit. Press and hold to adjust by several digits.



ET026-0

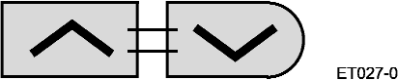
Start an Extra Regeneration Cycle

Press the **Extra Regeneration** button to start an **Extra Regeneration** tonight. Press and hold the **Extra Regeneration** button for 5 seconds to start an **Extra Regeneration** immediately.

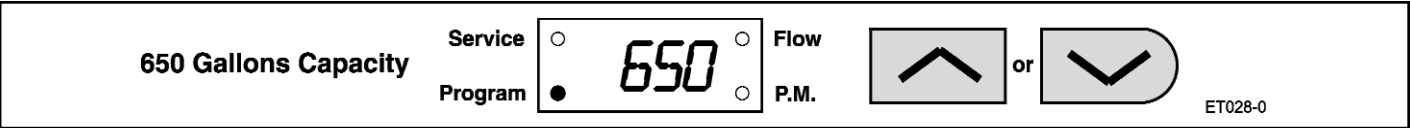
Installation

Set Control Programming

1. Press and hold both the **Set Up** and **Set Down** buttons for 5 seconds.



2. Set the Treated Water Capacity. Using the **Set Up** or **Set Down** buttons, set the amount of treated water to flow through the unit before a **Regeneration** is required.



3. Press the **Extra Regeneration** button.



4. Set the **Regeneration Time** . Use the **Set Up** or **Set Down** buttons to set the desired time of day for **Regeneration** to occur.

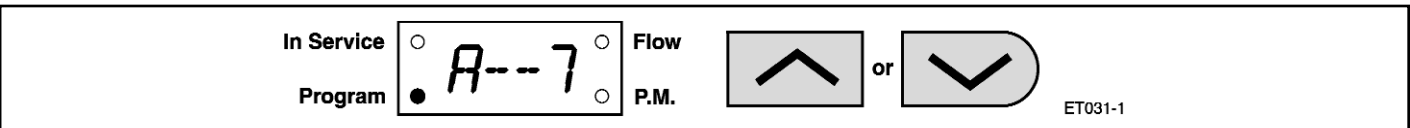
NOTE: This does not display if Regeneration occurs immediately.



5. Press the **Extra Regeneration** button.



6. Set **Regeneration Day Override** . Use the **Set Up** or **Set Down** buttons to set the maximum number of days before a **Regeneration** cycle must occur.



7. Press the **Extra Regeneration** button to exit the program.*



NOTE: Refer to the 9100 Control Service Manual and the SE Timer Supplemental Service Manual for additional information on programming and start-up procedures.

Installation

Immediate Regeneration Valves With Days Between Regeneration Override Set

When the valve reaches its set **Days Since Regeneration Override** value, a **Regeneration** cycle initiates immediately. This event occurs regardless of the **Volume Remaining** display reaching zero gallons.

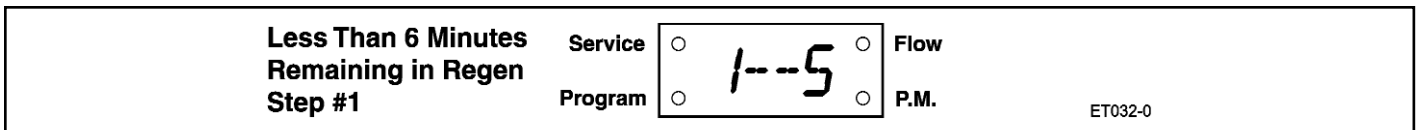
Delayed Regeneration Valves With Days Between Regeneration Override Set

When the valve reaches its set **Days Since Regeneration Override** value a **Regeneration** cycle initiates at the preset **Regeneration Time** . This event occurs regardless of the Volume Remaining display reaching zero gallons.

Control Operation During Regeneration

In **Regeneration** the control displays a special **Regeneration** display. While in **Regeneration** the control shows the current **Regeneration** step number to which the valve is advancing or has reached, and the time remaining in that step. The displayed step number flashes until the valve completes driving to this **Regeneration** step position. Once all **Regeneration** steps are complete the valve returns to **In Service** and resumes normal operation.

Example:



Pressing the **Extra Cycle** button during a **Regeneration** cycle immediately advances the valve to the next cycle step position and resumes normal step timing.

Control Operation During Programming

The control only enters the **Program Mode** with the valve **In Service** . While in the **Program Mode** the control continues to operate normally monitoring water usage and keeping all displays up to date. Control programming is stored in memory permanently. There is no need for battery backup power.

Control Operation During A Power Failure

During a power failure all control displays and programming are stored for use upon power re-application. The control retains these values for years, if necessary, without loss. The control is inoperative and any calls for **Regeneration** are delayed. The control, upon power re-application, resumes normal operation from the point that it was interrupted. An inaccurate or flashing **Time of Day** display indicates that a power outage has occurred.

Table 2 - Salt Dosage vs. Capacity vs. Timer Settings

Unit	Exchange Capacity @ Salt Dosage Per Regeneration	Refill Time (Minutes)	DLFC		BLFC	Injector	
			Flow	Number	Flow	Color	Number
SM-61	13,760 gr @ 3.3 lb	4	2 gpm	3	0.25 gpm	RED	0
	27,848 gr @ 9.3 lb	6					
	32,932 gr @ 15.0 lb	10					
SM-91	21,193 gr @ 5 lb	4	2 gpm	3	0.50 gpm	WHITE	1
	42,890 gr @ 14 lb	9					
	50,732 gr @ 22.5 lb	15					
SM-121	28,173 gr @ 6.7 lb	4	3.5 gpm	6	0.50 gpm	BLUE	2
	57,020 gr @ 18.7 lb	12					
	67,446 gr @ 30 lb	20					
SM-181	41,930 gr @ 10 lb	5	5 gpm	8	0.50 gpm	YELLOW	3
	84,870 gr @ 28 lb	15					
	100,387 gr @ 45 lb	25					

GALLON SETTINGS

The model 9000 valve regenerates with soft water from the other tank, you must subtract the water used for regeneration. If 1000 gallons are available then you must subtract the regeneration water used from the total water available.

If there are 1000 gallons available subtract the regeneration water used from total water available.

$$\begin{array}{rcl}
 1000 & & 51 & & 949 \\
 \text{gallons} & \text{---} & \text{gallons} & = & \text{gallons} \\
 \text{available} & & \text{used} & & \text{returning} \\
 & & & & \text{(in regeneration)}
 \end{array}$$

The meter wheel should be set at 950 gallons. Lift the inner dial of the meter program wheel (Fig. 4) so that it rotates freely. Position the white dot opposite the 950 gallon setting.

- Insert meter cable into the meter.
- Check bypass.
- Plug in unit.

Installation

Sanitizing Procedure

A water softener in daily use on a potable water supply generally requires no special attention other than keeping the salt tank filled. Occasionally, however, a unit may require sanitization under one of the following conditions:

- At start-up time.
- After standing idle for a week or more.
- On private supplies, the appearance of off-tastes and odors, particularly if musty or "rotten egg" (caused by harmless sulfate-reducing bacteria).

Note: If the water supply contains iron, regenerate the softener before sanitizing to remove iron from the resin.

CAUTION! HAZARD FROM TOXIC FUMES! CHLORINE BLEACH AND COMMON IRON CONTROL CHEMICALS MAY GENERATE TOXIC FUMES WHEN MIXED.



• IF THE UNIT USES CULLIGAN SOFNER-GARD® OR OTHER COMPOUNDS CONTAINING SODIUM HYDROSULFITE, SODIUM BISULFITE, OR ANY OTHER REDUCING AGENT, DISCONNECT THE DEVICE FEEDING THE CHEMICAL(S) AND MANUALLY REGENERATE THE UNIT BEFORE SANITIZING.

• DO NOT USE THIS PROCEDURE IF THE SOFTENER SALT CONTAINS IRON CONTROL ADDITIVES.

1. Remove the brine tank cover.
2. Pour directly into the brine chamber 1/3 - 1/2 cup of common household bleach (5.25% sodium hypochlorite) for each cubic foot of resin in the tank. **Do not use lemon scented bleaches, or similar bleaches that contain perfumes.**
3. Manually start recharge. Allow the unit to complete the recharge cycle automatically.

If tastes and odors return frequently, even after sanitization, a continuous chlorination system may be needed. Send a water sample to a qualified laboratory for bacterial analysis.

Analyzing the System

Analyzing the problem involves three basic steps:

1. Check the system in all cycle positions.
2. Compare the data to normal operating data.
3. Determine which component may cause the problem (troubleshooting).
4. If steps 1-3 did not reveal the problem, initiate a regeneration cycle and manually cycle the valve to brine draw (#2 position). Allow the unit to complete the brine draw cycle and observe how the system reacts.

Although it may be possible to solve a specific problem simply by changing a component, analyzing the entire system can reveal additional problems which would otherwise require extra service calls. "Parts changing" is not the same as service.

Check the System

The following tools are needed to collect data:

1. Hardness, iron and chlorine test kits
2. Thermometer
3. Pressure gauge, 0-120 psi
4. 5-Gallon bucket and watch
5. Calculator

The customer can provide most data. By collecting data prior to a service call, a "first guess" about the cause of the problem can be made and the need for any special parts can be determined. If the problem is as simple as lack of salt in the brine tank, a service call may not be needed at all. At the end of Appendix A is a recommended system data sheet that will assist the troubleshoot process.

Before Leaving the Installation Site

Sanitizing the softener. See sanitizing procedure on previous page.

Ensure that the brine tank has water to the level of the float. Add water to the tank with a hose or put the unit into a full recharge so that the brine refill cycle will fill the tank with the proper amount of water.

The water heater will hold hard water for several days. Advise the customer that the existing water volume in the tank will need to be used before the hot water is soft. If soft hot water is required immediately, refer to the water heater owner's manual for the proper method of draining the water heater.

Explain the operation of the softener to the customer. Make sure the customer knows that there will be new sounds associated with the recharging of the unit. Advise the customer to periodically check and replenish the salt supply.

Clean up the unit and installation site, removing any soldering, or pipe threading, residues from the equipment and surrounding area with a damp towel.

Salt Supply, Usage & Service

Salt is the mineral used to “recharge” your water conditioner. A brine solution is automatically made up in the bottom of the salt storage container, the Cullerex® resin beads in the mineral tank are flushed with the brine solution as a step in the recharging process.

Your Culligan Water Conditioner has been carefully designed to get the greatest amount of softening capacity from the salt it uses. Here is some pertinent information about salt usage, types and service.

Salt Economizer

This control is set at the time of installation, and determines salt usage according to the water hardness, number of persons in the household, and water usage.

What Kind of Salt is Best

All Culligan Water Conditioners are designed to use any water conditioner salt of good quality, including “rock”, “pellet”, “solar”, or “evaporated” types.

All rock salt, regardless of source, contains insoluble material which collects at the bottom of the salt storage tank and requires periodic clean-out.

If purified salt products are used, the salt storage compartment will require less frequent clean-out, but you must check more frequently for “bridging”.

Regardless of what type of salt is used, we recommend Culligan Brand Salt as suggested by your Culligan Dealer. He or she is the expert and can provide you with the best product for your Culligan Water Conditioner.

Automatic Salt Delivery Service

Ask your Culligan Dealer for details about salt delivery service. You can have your salt supply replenished on a regular basis. Whether you have automatic delivery service or pick up salt from your Culligan Dealer, you will be getting quality salt packaged according to rigid Culligan specifications. Using Culligan Brand Salt will help assure continued efficiency and trouble-free operation of your water conditioner.

SODIUM INFORMATION: *“Water softeners using sodium chloride for regeneration add sodium to the water. Persons who are on sodium restricted diets should consider the added sodium as part of their overall sodium intake.”*

Care and Cleaning of Your Water Conditioner

Following these simple precautions will help assure continued trouble-free service and keep your Culligan Water Conditioner looking like new for years.

1. Do not place heavy objects on top of the salt storage tank or timer cover.
2. Use only mild soap and warm water when cleaning the exterior of the conditioner. Never use harsh, abrasive cleaning compounds or those which contain acid, such as vinegar, bleach and similar products.
3. **Important: Protect your water conditioner and the entire drainline from freezing temperatures. DANGER: If your unit should freeze, do not attempt to disassemble it. Call your Culligan Dealer.**
4. **Important: Culligan water softeners are sold for use on potable water, only. If at any time the water becomes contaminated, such as during a “boil water” situation, the operation of the water softener should be discontinued until it is verified that the water is again potable. To do this, move lever on bypass valve to the “bypass” position. Then, call your Culligan dealer to have your system sanitized before it is placed back into service.**
5. Should service, adjustment or trouble-shooting information be needed which is not covered in the Owners Guide/Installation Supplement, call your Culligan Dealer.

Note: *Following the manufacturer's instructions regarding operation, maintenance and replacement requirements, including replacement of filters if applicable, is essential for Culligan's products to perform as advertised.*

If you have further questions, please call your local independently operated Culligan dealer. He or she will be glad to be of assistance to you.

Care & Cleaning

To Clean Out the Salt Storage Tank

A periodic clean-out of the Salt Storage Tank is necessary to keep your Culligan Water Conditioner at peak operating efficiency. Do it at least every 2 years when the salt supply is low. Follow these step-by-step procedures:

Tools needed:

- Scoop
- Clean, bucket-size container
- Phillips-head screwdriver
- Garden hose
- Household scrub brush or sponge

1. Remove the salt storage tank cover and the cap from the brine valve chamber.
2. Lift the brine valve out of the brine valve chamber and set aside in an upright position.
3. If you'd like to save any clean, dry salt remaining in the tank, remove it and place it in a clean container.
4. Using the scoop, dig out and discard as much remaining salt, water and debris as possible.
5. Remove the brine valve chamber by removing the screws on either side of the salt tank.
6. Remove the salt plate at the bottom of the brine tank.
7. Lay the salt tank on its side and direct a brisk stream of water from your garden hose to its inside to rinse out all residue.
8. Using a household scrub brush and a mild soapy solution, clean the salt plate. This will complete the tank cleaning.
9. Stand salt tank upright. Replace the salt plate. Place brine valve chamber in position and affix with screws.
10. Insert the brine valve into the chamber and replace brine valve chamber cap.
11. Fill the salt storage tank with 4 to 6 inches of water.
12. Fill the tank with salt to within a few inches of the top.
13. Replace salt storage tank cover.

When and How to Bypass Your Water Conditioner

Normally, all water except outside lines passes through the water conditioner. There are times when the water conditioner should be bypassed, using the Bypass Valve, or a 3-way bypass valve. You should bypass:

1. If lines to outside faucets do not bypass the water conditioner, and you do not want to waste soft water on lawn sprinkling or other outside uses.
2. If you are going away on vacation and want to save salt by not having the unit recharge while you're away.

Things to Check Before You Call For Service

If you unexpectedly experience hard water, make these simple checks before calling your Culligan dealer. One of the following conditions may be the reason for your interruption of service.

Important

If any of the following conditions is found, the water conditioner should be manually recharged according to instructions on page 9 after you have corrected the problem.

Power Supply

Check your power supply cord. Is it plugged fully into the electric outlet? Be certain that the outlet is not controlled by a wall switch which has been turned off. Reset conditioner to proper time of day and then plug in.

Blown Fuse

Check the house fuse or circuit breaker panel. Replace a blown-out fuse or reset an open circuit breaker.

Power Failure

Any interruption in your power supply or time changes - such as daylight savings - will disrupt your conditioner's recharge schedule by causing the timer to run off-schedule. Reset timer to proper time of day.

Bypass Valves

Check to see if they are in the proper position. The bypass valve should be in the "service" position. If hand valves are used, see that inlet and outlet valve are opened and that the bypass valve is closed.

No Water

If you aren't getting any water flow at all, make sure your water supply is working. Open a tap ahead of the conditioner (outside tap) to see if you have any water pressure. If you have water pressure, check the bypass valve. If it is in the Service position, put it into the bypass and call your Culligan dealer for service.

Increased Usage

Guests, family additions, new water-using appliances, etc., all will result in more water usage and will require more capacity from your conditioner. You can reprogram your recharging schedule by following the directions on pages 9 and 10. Call your Culligan dealer for advice and save a service call.

Salt Supply

Check it. Refill if necessary and wait approximately 4 hours for salt to dissolve before initiating a recharge cycle.

Salt Bridging

Salt bridging occurs when a space is formed between the salt and the water underneath, preventing the salt from dissolving to make brine. No brine, no soft conditioned water!

High humidity and/or use of some brands of purified salt products may cause a salt bridge to form.

The best way to check and eliminate a salt bridging problem is to take a broom handle or similar instrument and make a mark 34 inches from the end. Then carefully begin to probe down through the salt with the instrument. Should an obstruction be found before the mark on your instrument reaches the rim of the salt storage tank, a salt bridge is likely to have formed. Continue to probe and break the salt bridge completely.



Caution! Do not force the implement past the mark as damage to the horizontal salt plate may occur.

Performance Data Sheet

Culligan knows the more informed you are about your water treatment systems, the more confident you will be about its performance. It's because of this and more than sixty-five years of commitment to customer satisfaction that Culligan is providing this Performance Data Sheet to its customers.

IMPORTANT NOTICE: Read this Performance Data Sheet and compare the capabilities of this unit with your actual water treatment needs. It is recommended that before purchasing a water treatment unit, you have your water supply tested to determine your actual water treatment needs.

MANUFACTURER: Culligan International Company,
One Culligan Parkway, Northbrook, IL 60062-6209 USA
(847) 205-6000

PRODUCT: Culligan Soft-Minder Twin™ 61 Water Softener

TESTING CONDITIONS & RESULTS:

Flow Rate:	6.96 gpm	Capacity:	13,760 grains @ 3.3 lb. salt
Pressure:	30 - 40 psi		27,848 grains @ 9.3 lb. salt
Acidity:	Non-Corrosive		32,939 grains @ 15.0 lb. salt
Temperature:	68° (20°C)	Efficiency Rated Dosage†:	4,130 gr/lb
pH:	7.6		

SOFTENER SPECIFICATIONS:

Maximum Flow Rate:	10.4 gpm
Pressure Drop at Maximum Flow Rate:	15 psi
Operating Temperature Range:	33 - 120°F (1 - 50°C)
Maximum Drain Flow Rate:	1.6 gpm
Working Pressure Range:	20 - 120 psi
Operating Pressure Range (Canada):	20 - 90 psi



The Culligan Soft-Minder Twin Water Softeners are tested and certified by WQA against WQA S-100 for the effective reduction of calcium and magnesium (hardness).

This softener is efficiency rated, it has a Demand Initiated Regeneration (D.I.R.) feature which complies with specific performance specifications intended to minimize the amount of regenerant brine and water used in their operation. The softener has a rated salt efficiency of not less than 3350 grains of total hardness exchange per pound of salt used (based on NaCl equivalency), and shall not deliver more salt than its listed rating. The efficiency is measured by a laboratory test described in NSF/ANSI Standard 44. This test represents the maximum possible efficiency that the system can achieve. Operational efficiency is the actual efficiency achieved after the system has been installed. Operational efficiency is typically less than the efficiency due to individual application factors including water hardness, water usage, and other contaminants that reduce the softener's capacity.

Refer to the Specifications, Familiarization and Warranty section of this Owner's Guide for more specific product information. To avoid contamination from improper handling and installation, your system should only be installed and serviced by your Culligan Man. Performance will vary based on local water conditions. The substances reduced by this system are not necessarily in your water.

Culligan water softeners are designed to work with any salt of good quality, although it is recommended that you ask your local Culligan Man for his suggestion on the best type and grade of salt to use in this softener.

NOTICE: This softener is not intended to be used for treating water that is microbiologically unsafe or of unknown quality without adequate disinfection before or after the system.

† The efficiency rated dosage is only valid at the 3 lb salt dosage for Soft-Minder 61 models.

Buyer Signature _____ Date _____

Seller Signature _____ Date _____

Performance Data Sheet

Culligan knows the more informed you are about your water treatment systems, the more confident you will be about its performance. It's because of this and more than sixty-five years of commitment to customer satisfaction that Culligan is providing this Performance Data Sheet to its customers.

IMPORTANT NOTICE: Read this Performance Data Sheet and compare the capabilities of this unit with your actual water treatment needs. It is recommended that before purchasing a water treatment unit, you have your water supply tested to determine your actual water treatment needs.

MANUFACTURER: Culligan International Company,
One Culligan Parkway, Northbrook, IL 60062-6209 USA
(847) 205-6000

PRODUCT: Culligan Soft-Minder Twin™ 91 Water Softener

TESTING CONDITIONS & RESULTS:

Flow Rate:	8.7 gpm	Capacity:	21,193 grains @ 5.0 lb. salt
Pressure:	30 - 40 psi		42,890 grains @ 14.0 lb. salt
Acidity:	Non-Corrosive		50,732 grains @ 22.5 lb. salt
Temperature:	68° (20°C)	Efficiency Rated Dosage†:	4,240 gr/lb
pH:	7.6		

SOFTENER SPECIFICATIONS:

Maximum Flow Rate:	10.2 gpm
Pressure Drop at Maximum Flow Rate:	15 psi
Operating Temperature Range:	33 - 120°F (1 - 50°C)
Maximum Drain Flow Rate:	1.6 gpm
Working Pressure Range:	20 - 120 psi
Operating Pressure Range (Canada):	20 - 90 psi



The Culligan Soft-Minder Twin Water Softeners are tested and certified by WQA against WQA S-100 for the effective reduction of calcium and magnesium (hardness).

This softener is efficiency rated, it has a Demand Initiated Regeneration (D.I.R.) feature which complies with specific performance specifications intended to minimize the amount of regenerant brine and water used in their operation. The softener has a rated salt efficiency of not less than 3350 grains of total hardness exchange per pound of salt used (based on NaCl equivalency), and shall not deliver more salt than its listed rating. The efficiency is measured by a laboratory test described in NSF/ANSI Standard 44. This test represents the maximum possible efficiency that the system can achieve. Operational efficiency is the actual efficiency achieved after the system has been installed. Operational efficiency is typically less than the efficiency due to individual application factors including water hardness, water usage, and other contaminants that reduce the softener's capacity.

Refer to the Specifications, Familiarization and Warranty section of this Owner's Guide for more specific product information. To avoid contamination from improper handling and installation, your system should only be installed and serviced by your Culligan Man. Performance will vary based on local water conditions. The substances reduced by this system are not necessarily in your water.

Culligan water softeners are designed to work with any salt of good quality, although it is recommended that you ask your local Culligan Man for his suggestion on the best type and grade of salt to use in this softener.

NOTICE: This softener is not intended to be used for treating water that is microbiologically unsafe or of unknown quality without adequate disinfection before or after the system.

† The efficiency rated dosage is only valid at the 4.5 lb salt dosage for Soft-Minder 91 models.

Buyer Signature _____ Date _____

Seller Signature _____ Date _____

Performance Data Sheet

Culligan knows the more informed you are about your water treatment systems, the more confident you will be about its performance. It's because of this and more than sixty-five years of commitment to customer satisfaction that Culligan is providing this Performance Data Sheet to its customers.

IMPORTANT NOTICE: Read this Performance Data Sheet and compare the capabilities of this unit with your actual water treatment needs. It is recommended that before purchasing a water treatment unit, you have your water supply tested to determine your actual water treatment needs.

MANUFACTURER: Culligan International Company,
One Culligan Parkway, Northbrook, IL 60062-6209 USA
(847) 205-6000

PRODUCT: Culligan Soft-Minder Twin™ 121 Water Softener

TESTING CONDITIONS & RESULTS:

Flow Rate:	11.4 gpm	Capacity:	28,175 grains @ 6.7 lb. salt
Pressure:	30 - 40 psi		57,020 grains @ 18.7 lb. salt
Acidity:	Non-Corrosive		67,440 grains @ 30 lb. salt
Temperature:	68° (20°C)	Efficiency Rated Dosage†:	4,230 gr/lb
pH:	7.6		

SOFTENER SPECIFICATIONS:

Maximum Flow Rate:	11.4 gpm
Pressure Drop at Maximum Flow Rate:	15 psi
Operating Temperature Range:	33 - 120°F (1 - 50°C)
Maximum Drain Flow Rate:	1.6 gpm
Working Pressure Range:	20 - 120 psi
Operating Pressure Range (Canada):	20 - 90 psi



The Culligan Soft-Minder Twin Water Softeners are tested and certified by WQA against WQA S-100 for the effective reduction of calcium and magnesium (hardness).

This softener is efficiency rated, it has a Demand Initiated Regeneration (D.I.R.) feature which complies with specific performance specifications intended to minimize the amount of regenerant brine and water used in their operation. The softener has a rated salt efficiency of not less than 3350 grains of total hardness exchange per pound of salt used (based on NaCl equivalency), and shall not deliver more salt than its listed rating. The efficiency is measured by a laboratory test described in NSF/ANSI Standard 44. This test represents the maximum possible efficiency that the system can achieve. Operational efficiency is the actual efficiency achieved after the system has been installed. Operational efficiency is typically less than the efficiency due to individual application factors including water hardness, water usage, and other contaminants that reduce the softener's capacity.

Refer to the Specifications, Familiarization and Warranty section of this Owner's Guide for more specific product information. To avoid contamination from improper handling and installation, your system should only be installed and serviced by your Culligan Man. Performance will vary based on local water conditions. The substances reduced by this system are not necessarily in your water.

Culligan water softeners are designed to work with any salt of good quality, although it is recommended that you ask your local Culligan Man for his suggestion on the best type and grade of salt to use in this softener.

NOTICE: This softener is not intended to be used for treating water that is microbiologically unsafe or of unknown quality without adequate disinfection before or after the system.

† The efficiency rated dosage is only valid at the 4.5 lb salt dosage for Soft-Minder 121 models.

Buyer Signature _____ Date _____

Seller Signature _____ Date _____

Performance Data Sheet

Culligan knows the more informed you are about your water treatment systems, the more confident you will be about its performance. It's because of this and more than sixty-five years of commitment to customer satisfaction that Culligan is providing this Performance Data Sheet to its customers.

IMPORTANT NOTICE: Read this Performance Data Sheet and compare the capabilities of this unit with your actual water treatment needs. It is recommended that before purchasing a water treatment unit, you have your water supply tested to determine your actual water treatment needs.

MANUFACTURER: Culligan International Company,
One Culligan Parkway, Northbrook, IL 60062-6209 USA
(847) 205-6000

PRODUCT: Culligan Soft-Minder Twin™ 181 Water Softener

TESTING CONDITIONS & RESULTS:

Flow Rate:	12.0 gpm	Capacity:	41,936 grains @ 10 lb. salt
Pressure:	30 - 40 psi		84,870 grains @ 28 lb. salt
Acidity:	Non-Corrosive		100,387 grains @ 45 lb. salt
Temperature:	68° (20°C)	Efficiency Rated Dosage†:	4,190 gr/lb
pH:	7.6		

SOFTENER SPECIFICATIONS:

Maximum Flow Rate:	12.0 gpm
Pressure Drop at Maximum Flow Rate:	15 psi
Operating Temperature Range:	33 - 120°F (1 - 50°C)
Maximum Drain Flow Rate:	1.6 gpm
Working Pressure Range:	20 - 120 psi
Operating Pressure Range (Canada):	20 - 90 psi



The Culligan Soft-Minder Twin Water Softeners are tested and certified by WQA against WQA S-100 for the effective reduction of calcium and magnesium (hardness).

This softener is efficiency rated, it has a Demand Initiated Regeneration (D.I.R.) feature which complies with specific performance specifications intended to minimize the amount of regenerant brine and water used in their operation. The softener has a rated salt efficiency of not less than 3350 grains of total hardness exchange per pound of salt used (based on NaCl equivalency), and shall not deliver more salt than its listed rating. The efficiency is measured by a laboratory test described in NSF/ANSI Standard 44. This test represents the maximum possible efficiency that the system can achieve. Operational efficiency is the actual efficiency achieved after the system has been installed. Operational efficiency is typically less than the efficiency due to individual application factors including water hardness, water usage, and other contaminants that reduce the softener's capacity.

Refer to the Specifications, Familiarization and Warranty section of this Owner's Guide for more specific product information. To avoid contamination from improper handling and installation, your system should only be installed and serviced by your Culligan Man. Performance will vary based on local water conditions. The substances reduced by this system are not necessarily in your water.

Culligan water softeners are designed to work with any salt of good quality, although it is recommended that you ask your local Culligan Man for his suggestion on the best type and grade of salt to use in this softener.

NOTICE: This softener is not intended to be used for treating water that is microbiologically unsafe or of unknown quality without adequate disinfection before or after the system.

† The efficiency rated dosage is only valid at the 4.5 lb salt dosage for Soft-Minder 181 models.

Buyer Signature _____ Date _____

Seller Signature _____ Date _____

Records & Data

Records and Data

Important Data on Your Water Conditioner

It is advisable to have the salesperson or installer fill in the information below for your future reference. If this has not been done, please ask for it, as it is necessary if you contact your dealer.

IDENTIFICATION

Model Name _____ Catalog No. _____

Control Model No. _____ Control Serial No. _____

Date of Installation _____ Tank Serial No. _____

SETTINGS

Salt Setting _____ lbs.

Time of Recharge: _____ a.m. _____ p.m.

Gallons to signal _____ gallons

Number of people in household

WATER ANALYSIS

Total Hardness _____ (gpg) Total Iron _____ (ppm)

Other _____

Culligan Limited Warranty

Culligan Soft-Minder Twin™ Automatic Water Conditioners

You have just purchased one of the finest water conditioners made. As an expression of our confidence in Culligan International Company products, your water conditioner is warranted to the original end-user, when installed in accordance with Culligan specifications, against defects in material and workmanship from the date of original installation, as follows:

For a period of ONE YEAR	The entire conditioner
For a period of THREE YEARS	Soft-Minder® meter
For a period of TEN YEARS	The control valve body, excluding internal parts The salt storage container, brine valve and all its component parts, and the fiberglass conditioner tank
For the LIFETIME of the original consumer purchaser	The Quadra-Hull™ conditioner tank and the Cullex® resin

If a part described above is found defective within the specified period, you should notify your independently operated Culligan dealer and arrange a time during normal business hours for the dealer to inspect the water conditioner on your premises. Any part found defective within the terms of this warranty will be repaired or replaced by the dealer. You pay only freight from our factory and local dealer charges.

We are not responsible for damage caused by accident, fire, flood, freezing, Act of God, misuse, misapplication, neglect, oxidizing agents (such as chlorine, ozone, chloramines and other related components), alteration, installation or operation contrary to our printed instructions, or by the use of accessories or components which do not meet Culligan specifications, is not covered by this warranty. Refer to the specifications section in the Installation and Operating manual for application parameters.

Our product performance specifications are furnished with each water conditioning unit. TO THE EXTENT PERMITTED BY LAW, CULLIGAN DISCLAIMS ALL IMPLIED WARRANTIES, INCLUDING WITHOUT LIMITATION WARRANTIES OF MERCHANTABILITY AND FITNESS FOR PARTICULAR PURPOSE; TO THE EXTENT REQUIRED BY LAW, ANY SUCH IMPLIED WARRANTIES ARE LIMITED IN DURATION TO THE ONE-YEAR PERIOD SPECIFIED ABOVE FOR THE ENTIRE CONDITIONER. As a manufacturer, we do not know the characteristics of your water supply or the purpose for which you are purchasing a water conditioner. The quality of water supplies may vary seasonally or over a period of time, and your water usage rate may vary as well. Water characteristics can also differ considerably if your water conditioner is moved to a new location. For these reasons, we assume no liability for the determination of the proper equipment necessary to meet your requirements, and we do not authorize others to assume such obligations for us. Further, we assume no liability and extend no warranties, express or implied, for the use of this product with a non-potable water source. OUR OBLIGATIONS UNDER THIS WARRANTY ARE LIMITED TO THE REPAIR OR REPLACEMENT OF THE FAILED PARTS OF THE WATER CONDITIONER, AND WE ASSUME NO LIABILITY WHATSOEVER FOR DIRECT, INDIRECT, INCIDENTAL, CONSEQUENTIAL, SPECIAL, GENERAL, OR OTHER DAMAGES.

Some states do not allow the exclusion of implied warranties or limitations on how long an implied warranty lasts, so the above limitation may not apply to you. Similarly, some states do not allow the exclusion of incidental or consequential damages, so the above limitation or exclusion may not apply to you. This warranty gives you specific legal rights, and you may also have other rights which vary from state to state. Consult your telephone directory for your local independently operated Culligan dealer, or write Culligan International Company for warranty and service information.

CULLIGAN INTERNATIONAL COMPANY
One Culligan Parkway
Northbrook, Illinois 60062

Promise

With Culligan You Get More Than a Quality Product

You Get Your Water Expert, The Culligan Man

We're here to provide you with fast, dependable service, making sure any problems you have are taken care of. The Culligan Man has been around for over sixty years, delivery dependable service all along. That's why people say "Hey, Culligan Man!" Because we're the water experts. And that's who you want taking care of your water.

The Culligan Promise

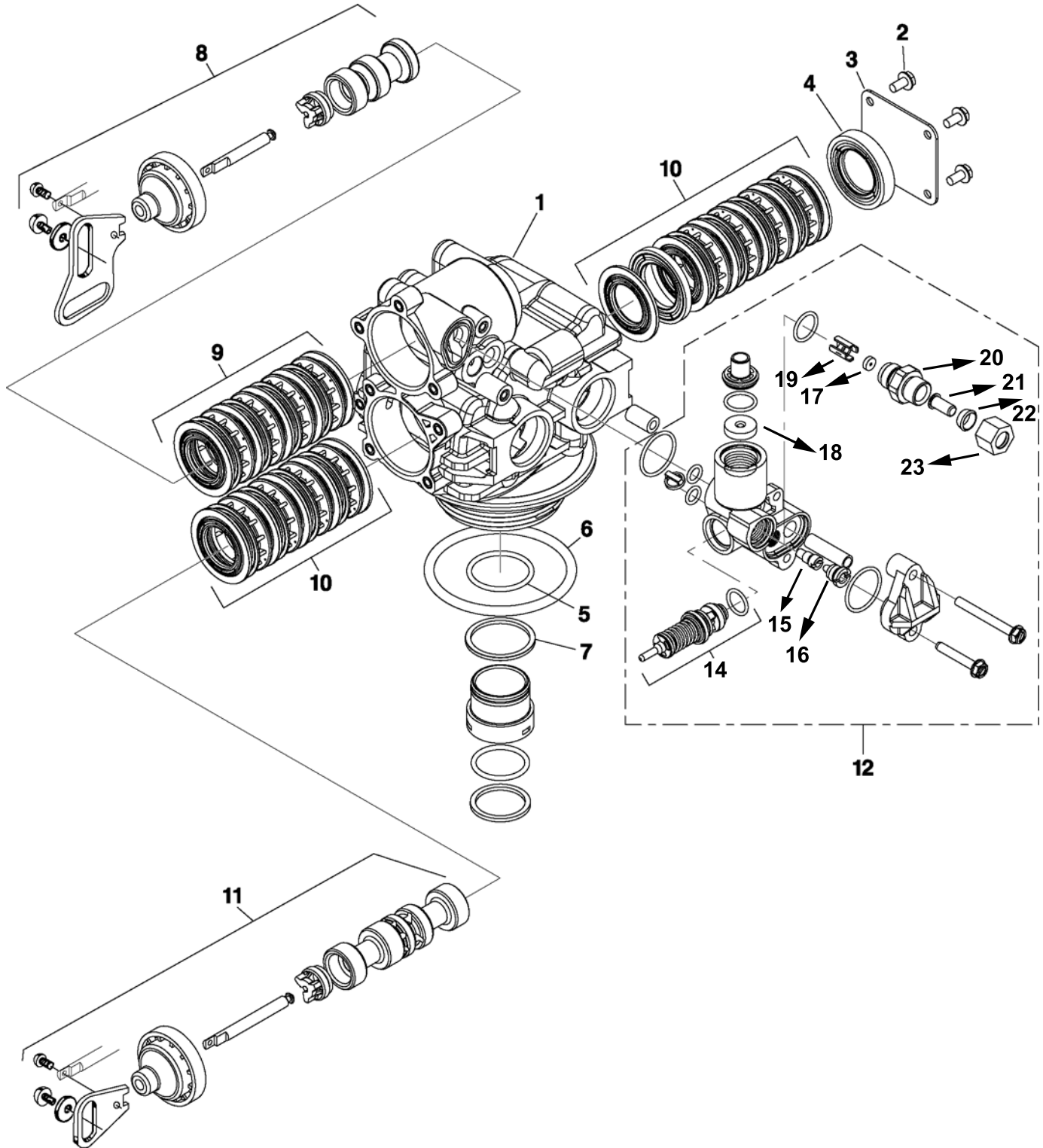
At Culligan, we understand that a water quality improvement system is an investment in your family's well-being. That's why our 1,350 independently operated dealers worldwide don't just sell products; they sell water quality you can count on. We stand behind our products with written limited warranties and our unequaled Culligan service. No matter where you live, you can depend on Culligan expertise to work for you — today and tomorrow.



This Page Left Blank Intentionally

Parts List

Control Valve

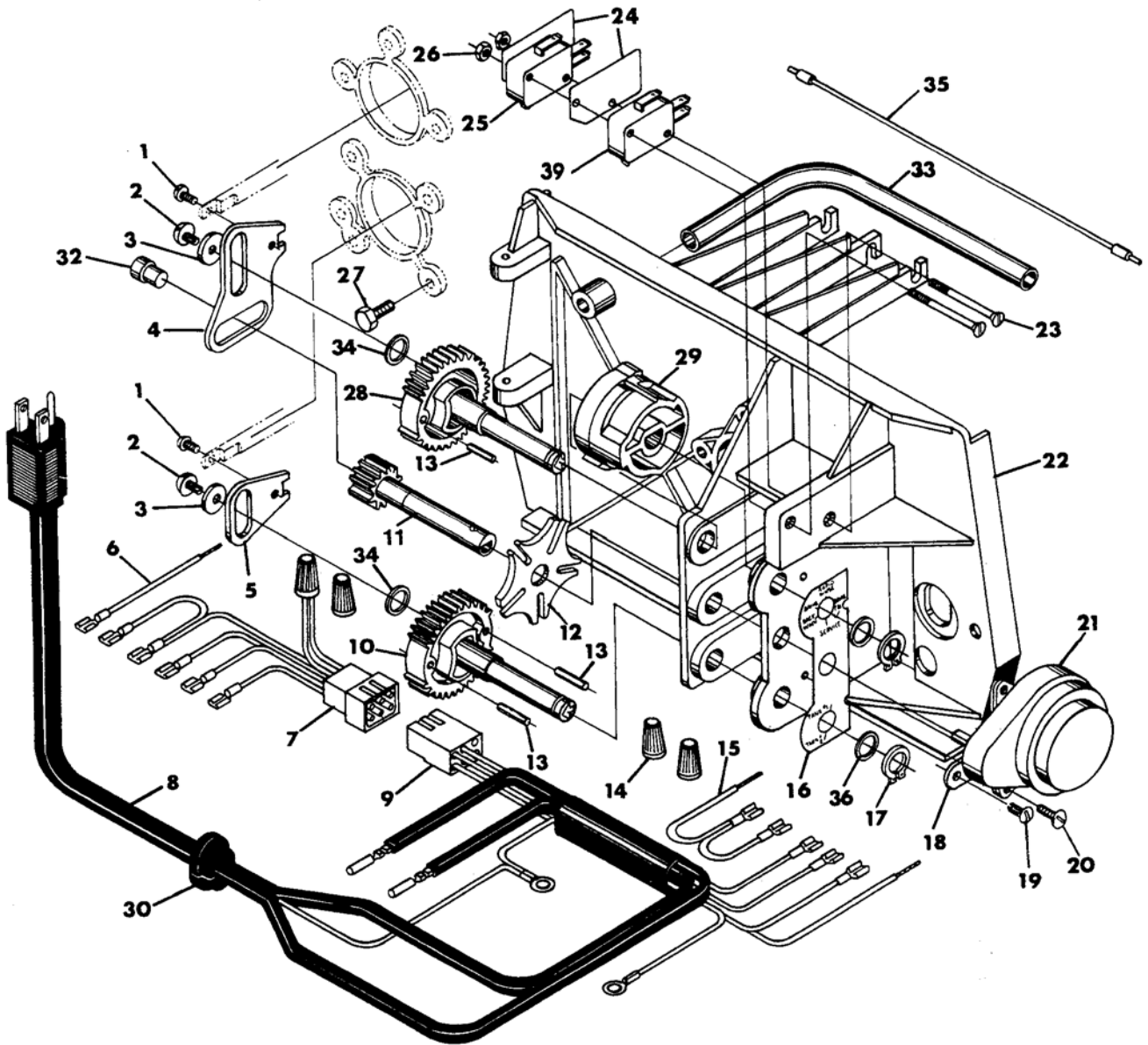


Parts List

Item No.	Part No.	Description	Qty.
	01017575	Control Valve Assembly	1
1	01017764	Valve Body	1
2	01017808	Screw	4
3	01017809	End Plate	1
4	01017810	End Plug	1
6	01009207	O-Ring	1
8	01012896	Piston - Top Assembly	1
9	01012897	Seal & Spacer Kit - Top	1
10	01012898	Seal & Spacer Kit - Bottom	1
11	01012895	Piston - Bottom Assembly	1
12		Injector Assembly - 9" Tanks	1
	01012878	Injector Assembly - 10" Tanks	1
	01012877	Injector Assembly - 12" Tanks	1
		Injector Assembly - 12" Tanks	1
14	01012894	Brine Valve Assembly	1
15	00401991	Throat, No. 0 (Red) - 9" Tank	1
	00401988	Throat, No. 1 (White) - 10" Tank	1
	00446967	Throat, No. 2 (Blue) - 12" Tank	1
	00403660	Throat, No. 3 (Yellow) - 14" Tank	1
16	00401989	Nozzle, No. 0 (Red) - 9" Tank	1
	00401986	Nozzle, No. 1 (White) - 10" Tank	1
	00446966	Nozzle, No. 2 (Blue) - 12" Tank	1
	00403662	, No. 3 (Yellow) - 14" Tank	1
17	01017770	0.25 gpm BLFC (No. 1) - 9" Tanks	1
	00403663	0.5 gpm BLFC (No. 2) - 10", 12" & 14" Tanks	1
18	00401879	2.0 DLFC (No. 3) - 9" & 10" Tanks	1
	00403668	3.5 DLFC (No. 6) - 12" Tanks	1
	00403669	5.0 DLFC (No. 8) - 14" Tanks	1
19	00403664	Retainer, BLFC	1
20	00401981	Fitting, Brine Line, 5/16" - 9" & 10" Tanks	1
	01017757	Fitting, Brine Line, 1/2" - 12" & 14" Tanks	1
21	01017802	Tube Insert, 5/16" - 9" & 10" Tanks	1
	00401836	Tube Insert, 1/2" - 12" & 14" Tanks	1
22	01017803	Ferrule, 5/16" - 9" & 10" Tanks	1
	00403666	Ferrule, 1/2" - 12" & 14" Tanks	1
23	01017804	Nut, 5/16" - 9" & 10" Tanks	1
	00403667	Nut, 1/2" - 12" & 14" Tanks	1

Parts List

Power Head



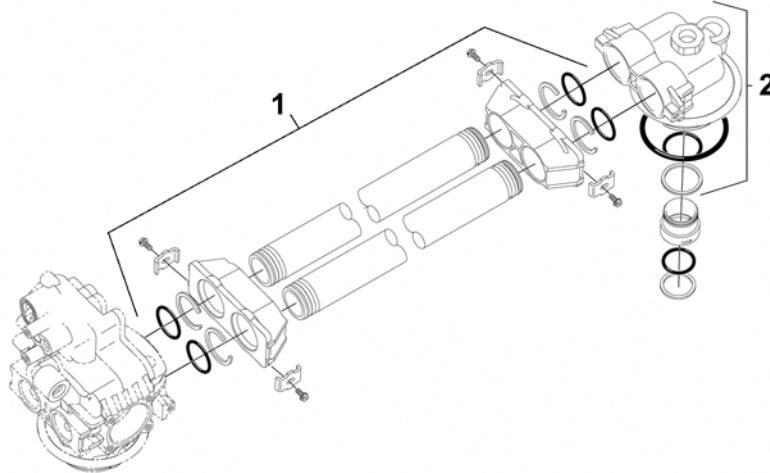
Control Valve Parts List

Item No.	Part No.	Description	Qty.
	01013002	Nut	2
8	01017766	Transformer w/ Power Cord	1
10	01013003	Drive Gear Assembly, Lower	1
11	01013004	Drive Gear Assembly	1
12	01009210	Geneva Wheel	1
	00401865	Cover Screw	1
17	00402016	Retaining Ring	2
18	01013005	Ground Plate	1
19	01009225	Screw	1
21	01017805	Drive Motor, 24 Volts	1
23	00402011	Screw	2
	00401871	Washer	2
25	00445244	Microswitch (Homing)	1
26	00401872	Nut	1
27	00402012	Screw	1
28	01013006	Drive Gear Assembly, Upper	2
30	01009298	Strain Relief	1
	01009212	Retaining Ring	1
29	01013007	Triple Cam	1
34	01013009	Washer	2
36	01013010	Spacer	2
39	01017806	Microswitch (Program)	1
*		Decal	1
*	01017807	Cover	1
*	00401865	Cover Screen	1
*	01003002	Cover Screen Retainer	1

* Not Shown

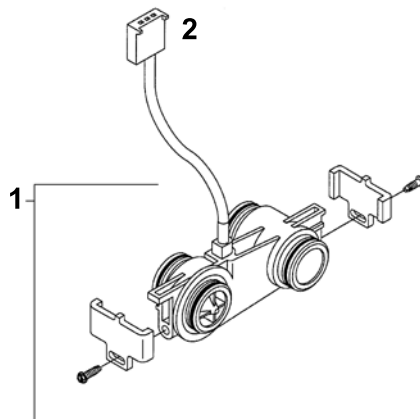
Parts List

9100 Second Tank Assembly



Item No.	Part No.	Description	Qty.
1	01017576	plastic tube assembly, 9100 , up to 10" tanks	1
	01017577	plastic tube assembly, 9100 , up to 14" tanks	1
2	01017765	second tank adapter assembly, 9100	1

Meter Assembly

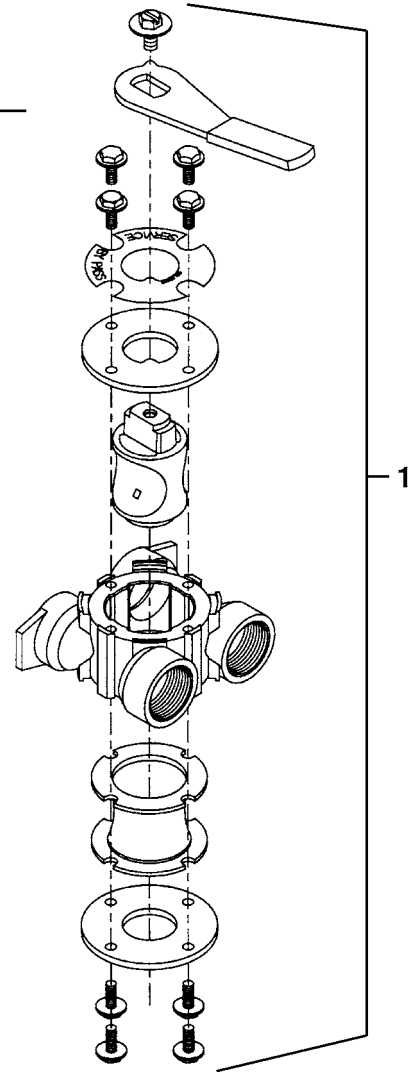


Item No.	Part No.	Description	Qty.
1	01017767	Turbine meter assembly with clips and screws, less meter cable	1
2	01017768	Meter Cable	1

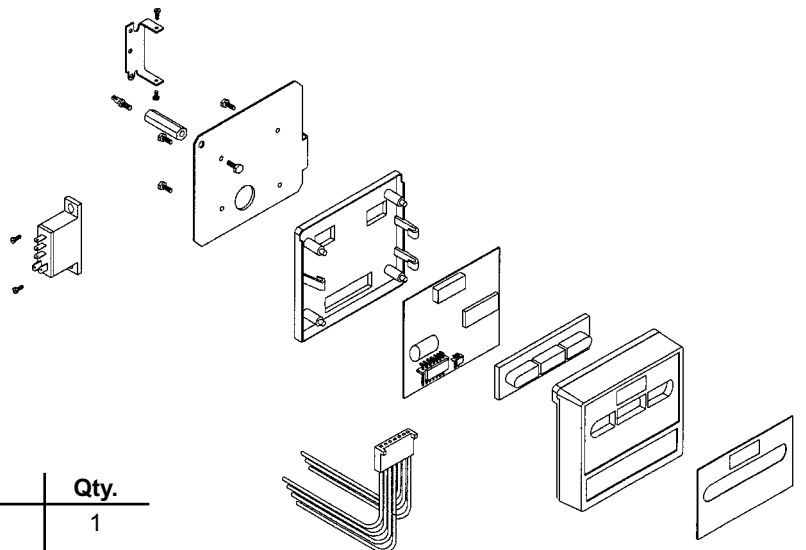
Parts List

Bypass Valve

Item No.	Part No.	Description	Qty.
1	01017769	1" Stainless Steel Bypass Valve NPT	1



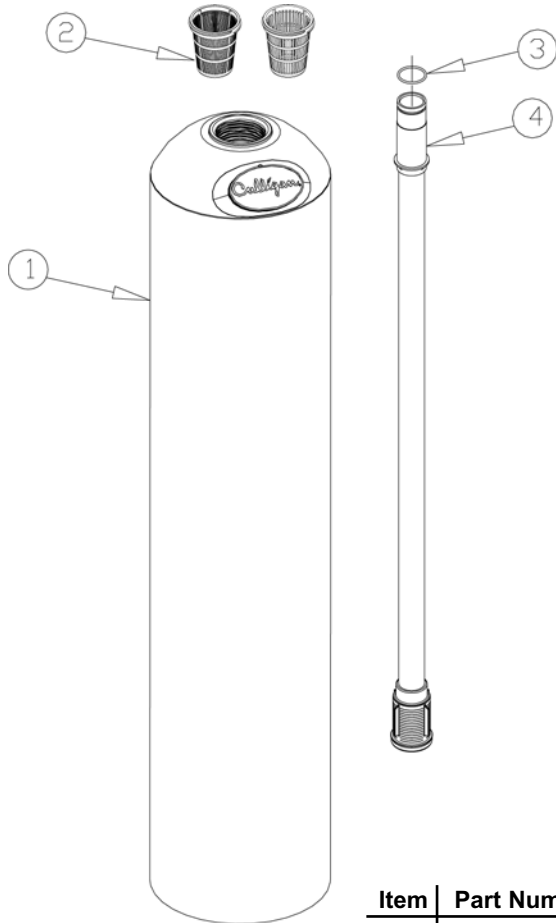
Timer Assembly



Item No.	Part No.	Description	Qty.
-	01017763	SE Timer Assembly	1

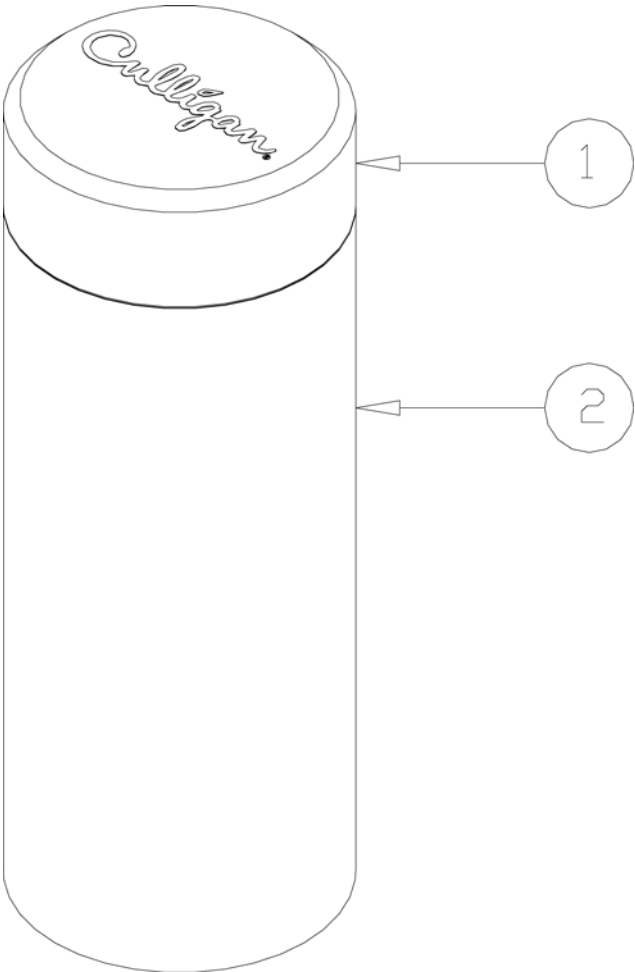
Parts List

Tank Assembly



Item	Part Number	Description	Qty.
1	01016496	QH Tank Assembly, 9" w/o Fillport, Complete	
	01016497	QH Tank Assembly, 10" w/o Fillport, Complete	
	01017191	QH Tank Assembly, 12" w/o Fillport, Complete, Less Media	
	01017193	QH Tank Assembly, 14" w/o Fillport, Complete, Less Media	
	01017677	QH Tank Replacement, 9", w/o Fillport, Empty	
	01017678	QH Tank Replacement, 10", w/o Fillport, Empty	
	01016519	QH Tank Replacement, 12", w/o Fillport, Empty	
	01016521	QH Tank Replacement, 14", w/o Fillport, Empty	
2	01009847	Top Strainer - Fine Slot	
	01011195	Top Strainer - Wide Slot	1
3	01009099	O-Ring, Manifold	1
4	01016176	Outlet Manifold - 9"	1
4	01014539	Outlet Manifold - 10"	1
4	01014540	Outlet Manifold - 12"	1
4	01016429	Outlet Manifold - 14"	1

Brine Tank

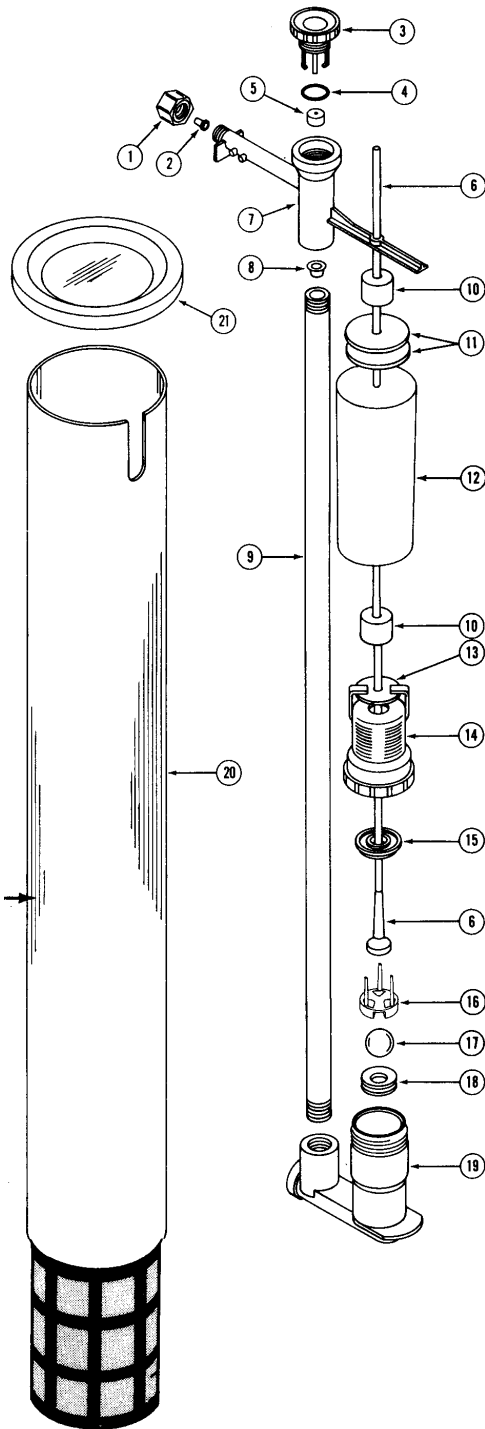


Item	Part Number	Description
—	00-4418-87	Brine System, 375 lb. Replacement
1	00-3039-80	Cover, 375 lb. (170 kg)
2	00-3039-75	Tank Only, 375 lb. (170 kg)
*	00-3044-39	Salt Plate, Plastic, 375 lb. (170 kg)

* Not Illustrated

Parts List

Brine Valve - 9" and 10" Tanks



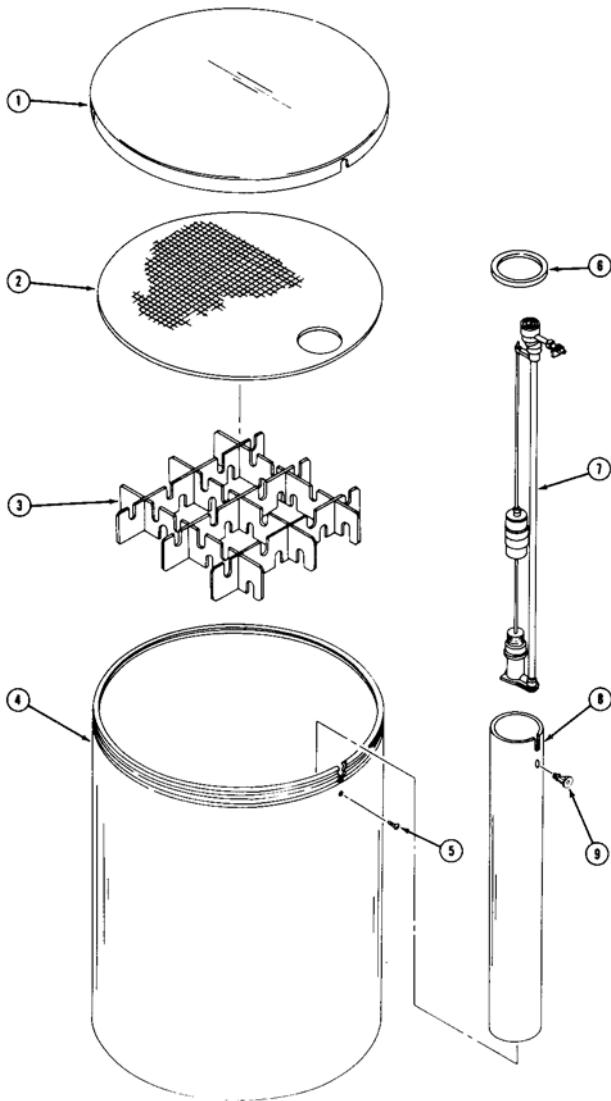
Item	Part Number	Description
—	00-4418-88	Brine Valve Assembly
—	00-4011-41	Brine Valve Assy., Brine Tank, 160 lb.
1	00-3031-93	Plastic Nut, 5/16-inch
2	00-3031-92	Plastic Insert
3	00-4407-96	Refill Cap
‡4	00-3084-07	O-ring
‡5	00-4016-22	Flow Restrictor, No. 5, 0.45 gpm (170 lpm)
6	00-3400-14	Stem Seat Assy., 250 lb. (114 kg) & 375 lb. (170 kg)
7	00-4407-95	Refill Body
‡8	00-3325-28	Hat Screen
9	00-2234-35	Plastic Pipe, 1/4-inch NPT x 35 inches long, 250 lb. (114 kg) & 375 lb. (170 kg)
10	00-3047-03	Float Retainer (2 required)
11	00-3047-18	Float Weight, Stainless Steel (2)
12	00-4448-73	Float
13	00-3320-72	Screen Top Seal
14	00-4446-64	Filter Screen Cap
‡15	00-4444-96	Stem Seat
16	00-4473-92	Insert
17	00-4477-81	Air Eliminator Ball
‡18	00-3048-04	Ball Seat
19	00-5418-21	Float Valve Body with Ball Seat
	00-5418-34	Float Valve Body with Ball Seat, 150 lb. Brine Tank
20	00-3045-37	Brine Valve Chamber, 250 lb. (114 kg) & 375 lb. (170 kg) Salt Storage Tank
	00-4413-92	Brine Valve Chamber, 160 lb. (Shown)
21	00-3046-06	Cap, Brine Valve Chamber
*	00-4463-88	Screw, St. Steel, Brine Valve Chamber
*	00-4463-89	Nut, St. Steel, Brine Valve Chamber

* Not Illustrated

‡ Recommended Spare Parts

Parts List

Brine System - Safety Valve



40-GALLON TANK (375 lbs. capacity)

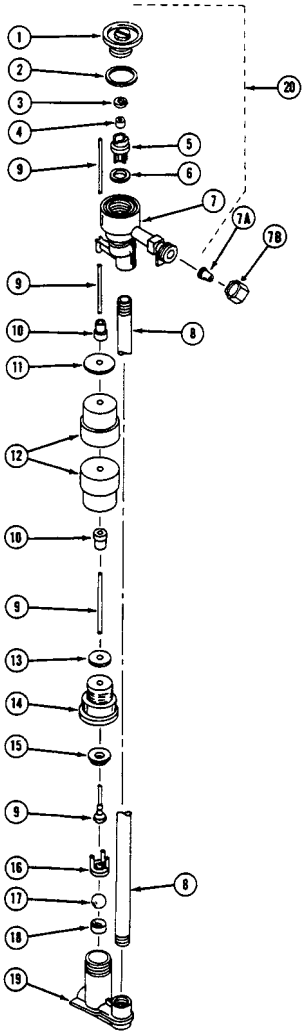
Item	Part No.	Description
	01-0019-09	Tank System Complete 40 gallon
1	00-3039-80	Cover, PP
2/3	00-3044-39	Plate, Salt, PE, w/Supports
4	00-4471-08	Tank, PE
5	00-4463-88	Screw, SS, #10-32 x 0.625"
6	00-3046-06	Cap
7	00-3042-93	Brine Safety Valve
8	00-3045-37	Brine Valve Chamber
*	00-9018-00	Tubing, Brine Line 1/2" O.D. x 3/8" I.D. Black, Plastic
*	00-4463-89	Nut, SS, #10-32

* Not Illustrated

† Specify number of feet

Parts List

Brine Valve - 12" and 14" Tanks



Item	Part Number	Description
	00-3042-93	Brine Valve Complete
1	00-3321-25	Cap, Refill
2	00-4415-93	Quad-Ring, Buna-N, 1.25" x 1.375"
5	00-3321-74	Restrictor, Refill, 0.8 gpm (12" & 14" Tanks)
6	00-3048-05	Gasket, Buna-N, 0.682" x 0.940"
7	00-5418-22	Body, Refill
7a	00-4405-16	Insert, PP, 0.5"
7b	00-4404-02	Nut, PP, 0.5"
8	00-2234-35	Pipe, Kral, 0.25" NPTE x 35"
9	00-3400-14	Steam Seat Assembly
10	P0-3047-03	Retainer, Float / MP 25
11	00-3323-49	Weight, Float
12	00-4448-73	Float
13	00-3320-72	Seal, Top
14	00-4446-64	Screen Cap
15	P0-4444-96	Stem Seat, EPT / MP 10
16	P0-4473-92	Insert, Black / MP 10
17	P0-4477-81	Ball Air Eliminator / MP 10
18	00-4035-66	Ball Seat, Buna-N
19	00-5418-21	Float Valve Body w/Seat
20	00-3321-74	Brine Refill Assembly
*	00-9018-00	Tubing, Brine Line 1/2" O.D. x 3/8" I.D., Black, Plastic

* Not Illustrated. Specify number of feet

**This page contains materials and DCO information.
IT DOES NOT PRINT AS PART OF THE DOCUMENT!**

Materials & Description: I/O Guide Soft-Minder Twin 01017584

Size: 11" x 17" Booklet folded down to 8 1/2" x 11"

Color: Black, 2 Sided

Stock: 20# White

Other: Collate

Bookletmaker with 2 Saddlestich Staples

Standard 3 Hole Drill

LET	CHANGE	BY	APRVD	DCO	DATE
A	NEW ART CREATED	LR / PH	JS	7473	08/10/04
B	UPDATE ART	PH/LR	JS	7499	04/06/05